

Solid State Relays Accessories Types BBR, RHS



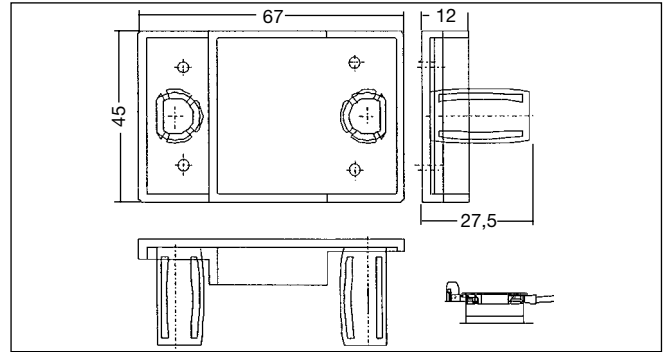
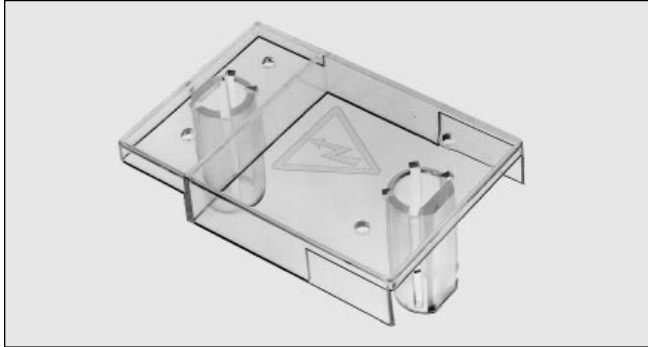
Protection Covers, DIN-Rail Adapter

BBR

Cover for 1-phase SSRs. In order to achieve a higher protection degree for 1-phase relays, the cover must be mounted correctly on top of the relay.

Material
Colour

Plastic
Transparent



RHS 00

DIN rail adapter RHS 00 is intended for mounting a heatsink assembly or a 1-phase relay directly on a DIN-rail.

Material

Electroplated steel

